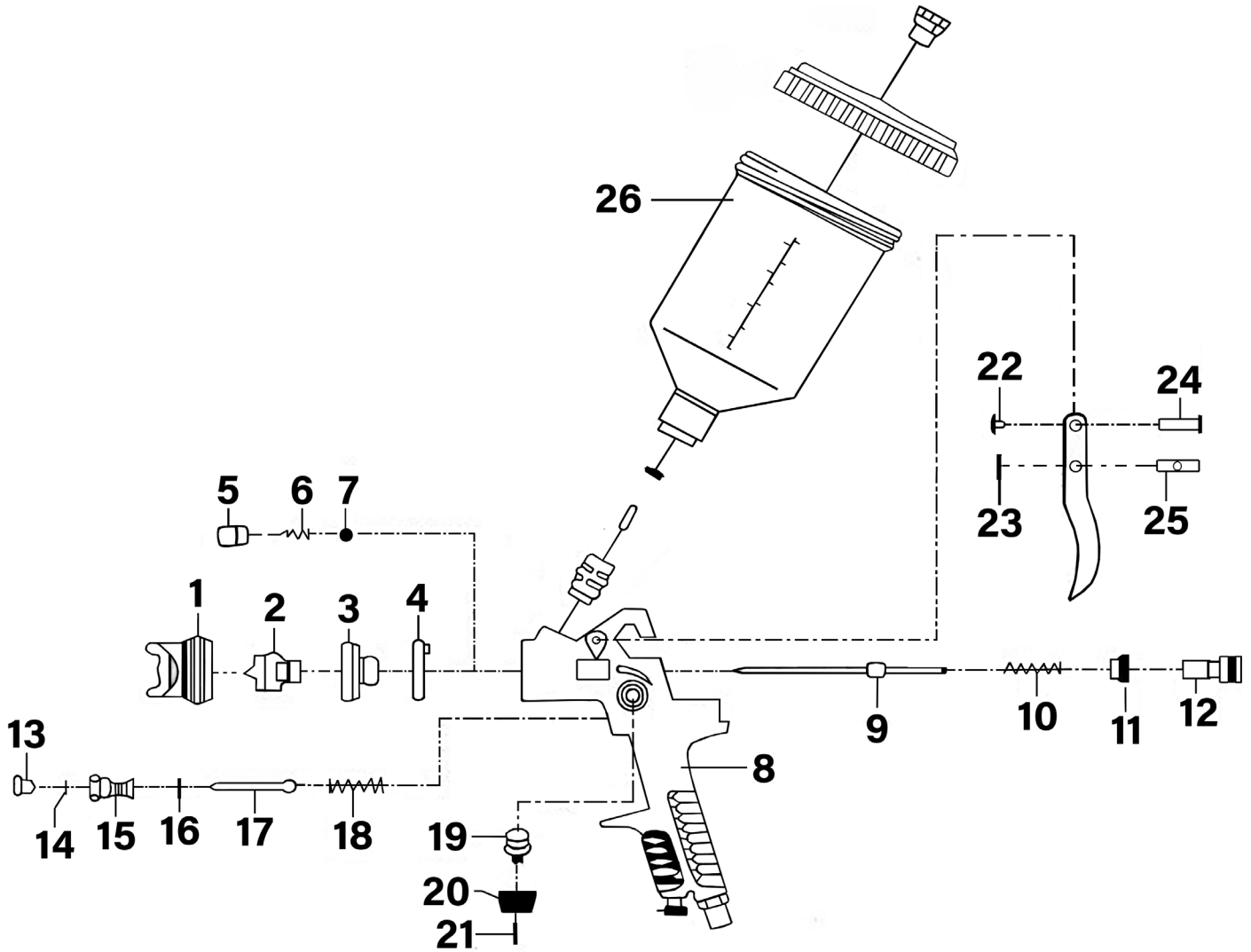


Parts Information:  
**Spray Gun Touch-Up Gravity Feed - 1mm  
 Set-Up**  
**Model No: S631**



| Item | Part No. | Description                      |
|------|----------|----------------------------------|
| 1    | S631.01  | Air Nozzle (c/w Brass Cap) 1.0mm |
| 2    | S631.02  | Fluid Nozzle 1.0mm               |
| 3    | S631.03  | Piston Ring                      |
| 4    | S631.04  | O-Ring                           |
| 5    | S631.05  | Compression Screw                |
| 6    | S631.06  | Seal For Air Piston              |
| 7    | S631.07  | Steel Ball                       |
| 8    | S631.08  | Gun Body                         |
| 9    | S631.09  | Fluid Needle 1.0mm               |
| 10   | S631.10  | Spring For Needle                |
| 11   | S631.11  | Screw Nut                        |
| 12   | S631.12  | Fluid Control Nut                |
| 13   | S631.13  | Air Packing                      |
| 14   | S631.14  | Packing For Air Piston           |

| Item | Part No.    | Description                |
|------|-------------|----------------------------|
| 15   | S631.15     | Air Switch Valve           |
| 16   | S631.16     | Piston Ring                |
| 17   | S631.17     | Air Piston Complete        |
| 18   | S631.18     | Spring For Air Piston      |
| 19   | S631.19     | Spindle Complete           |
| 20   | S631.20     | Control Knob               |
| 21   | S631.21     | Screw For Spindle          |
| 22   | S631.22     | Air Adjustment Valve Ass'y |
| 23   | S631.23     | Retainer                   |
| 24   | S631.24     | Trigger Pin                |
| 25   | S631.25     | Hinge Pin                  |
| 26   | S631.26-30  | Container Ass'y            |
| --   | S631-SET0.8 | Set-Up 0.8mm (Not Shown)   |
| --   | S631-SET1.0 | Set-Up 1.0mm (Not Shown)   |

**NOTE:** It is our policy to continually improve products and as such we reserve the right to alter data, specifications and component parts without prior notice. There may be alternative versions of this product, please contact us should you require this information.

**IMPORTANT:** No liability is accepted for incorrect use of product. Spare parts must be fitted by a competent person

**WARRANTY:** Guarantee is 12 months from purchase date, proof of which will be required for any claim.